

RIMFIRE PERFECTED

AR-15 22lr Buffer Pressure Plug

Instructions for Installation and Use



Figure 1.1 - BoreBuddy Buffer Pressure Plug

WARNING! Exercise careful firearms handling procedures at all times. Ensure the weapon is unloaded prior to installation of the components provided in this kit. BoreBuddy recommends a double visual chamber inspection (look once, look away, look again), followed by a physical chamber inspection to ensure the rifle is unloaded. This kit is intended for training or recreational purposes only. Any unlawful use is strictly forbidden!

Always wear eye and ear protection when discharging firearms (yes, even 22lr!) and follow the Four Rules for firearm safety: Always keep firearms pointed in a safe direction, treat every firearm as if it is loaded, keep your finger off the trigger until you are ready to shoot and be sure of your target and what is beyond it.

Buffer Pressure Plug

What does the Buffer Pressure Plug do?

The Buffer Pressure Plug is used to increase the cycling reliability by applying consistent pressure to the back of the bolt carrier, bolt and chamber adapter assembly. In order to accomplish higher reliability, the Buffer Pressure Plug does two things: 1.) The pressure results in more consistent seating (and thus positioning) of the chamber adapter to the rifle's chamber and 2.) The pressure minimizes bouncing of the assembly during firing.

Installing the Buffer Pressure Plug

The Buffer Pressure plug is designed with two features that make installation and use quick and simple.

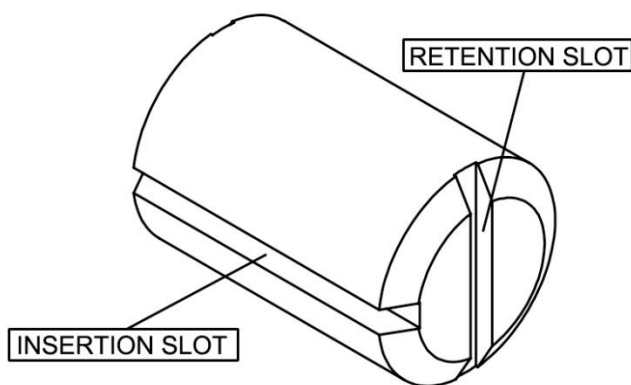


Figure 1.2 - Shows where the Insertion and Retention slots are located on the Plug



Figure 1.3 - BoreBuddy Buffer Pressure Plug

- 1.) An insertion slot along the side of the cylinder allows for quick and easy insertion without a need to depress the buffer retaining pin. Simply align the insertion slot with the buffer retention pin and push straight rearward to insert.
- 2.) A retention slot in which the buffer pin rests to keep the plug aligned. This slot serves a secondary purpose of allowing the use of a coin, flat blade screwdriver, or a similar object to be used to twist the plug for insertion or removal.

To insert the plug, pull the rear takedown pin and hinge the upper receiver away from the lower receiver. Rest the stock flat on a table or floor. Align the insertion slot with the buffer pin, press straight back and twist the plug $\frac{1}{4}$ turn in either direction to allow the buffer pin to drop into the retention slot. The buffer plug should be positioned as shown in Figure 1.4. The plug can be inserted either direction, but we suggest inserting the hollow side towards the buffer. Close the upper receiver and replace the rear takedown pin. Removal is the reverse of installation.

Note: On some buffer springs the spring will become preloaded from twisting the plug $\frac{1}{4}$ turn. While this does not cause damage or affect the function of the plug, some users find it useful to turn the plug $\frac{1}{2}$ turn and then back $\frac{1}{4}$ turn to remove the rotational preload. While most rifles will allow the plug to be rotated with ease, if difficulty is encountered, use a coin in the retention slot to help with turning the plug.

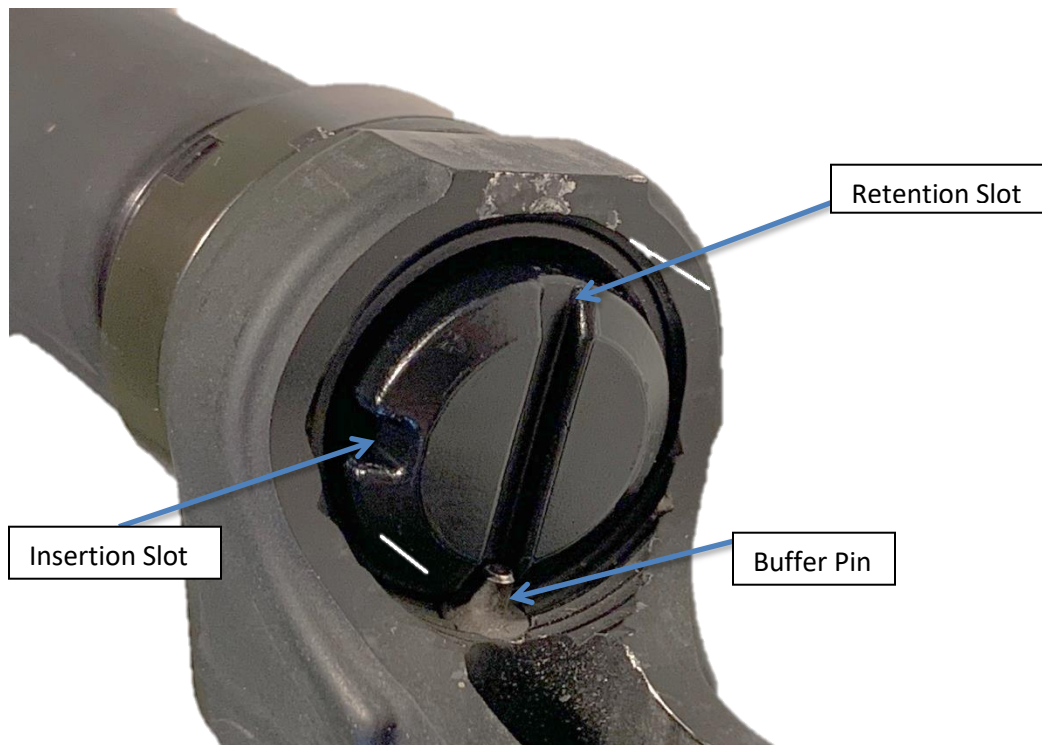


Figure 1.4 - Shows the complete installation and locations for all parts

Contact Us

Thank you for your purchase of the BoreBuddy AR-15 22lr reliability components! Should you have any questions please visit our website (BoreBuddy.com) and check the frequently asked questions. Feel free to join the forums and interact with the community (forums.borebuddy.com). If you need to contact us directly, click the “Contact Us” tab at the top of the home page on the website.

For wholesale inquiries or bulk order for clubs, organizations, or law enforcement agencies, please email Sales@BoreBuddy.com or contact us by our contact form.